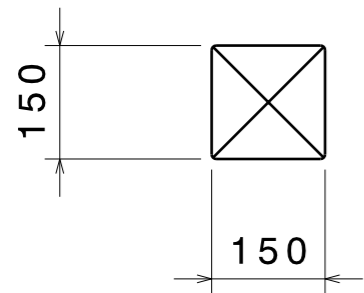
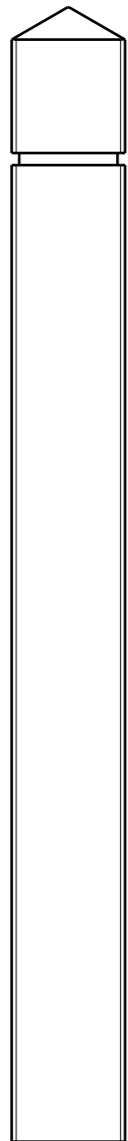


IF IN DOUBT ASK

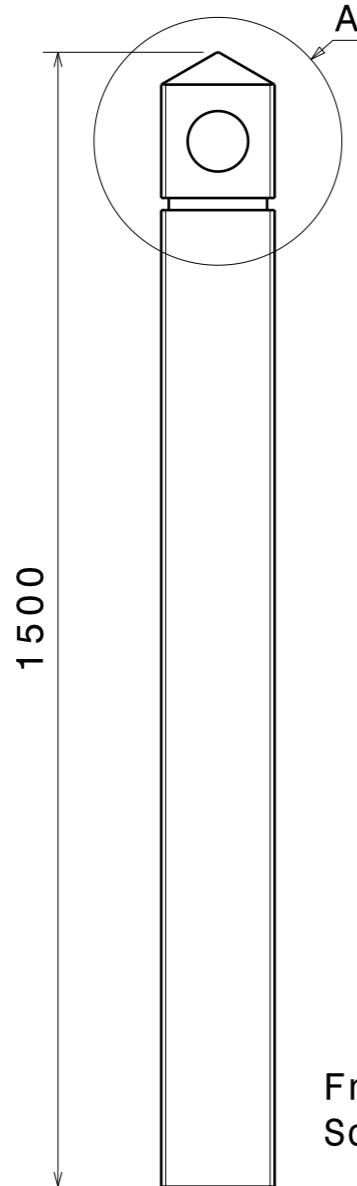
ISSUE	DESCRIPTION	T/O No.	DRAWN	DATE	APPROVED	DATE
A	RELEASE FOR CUSTOMER APPROVAL	tba	E.C	18-4-17	-	-



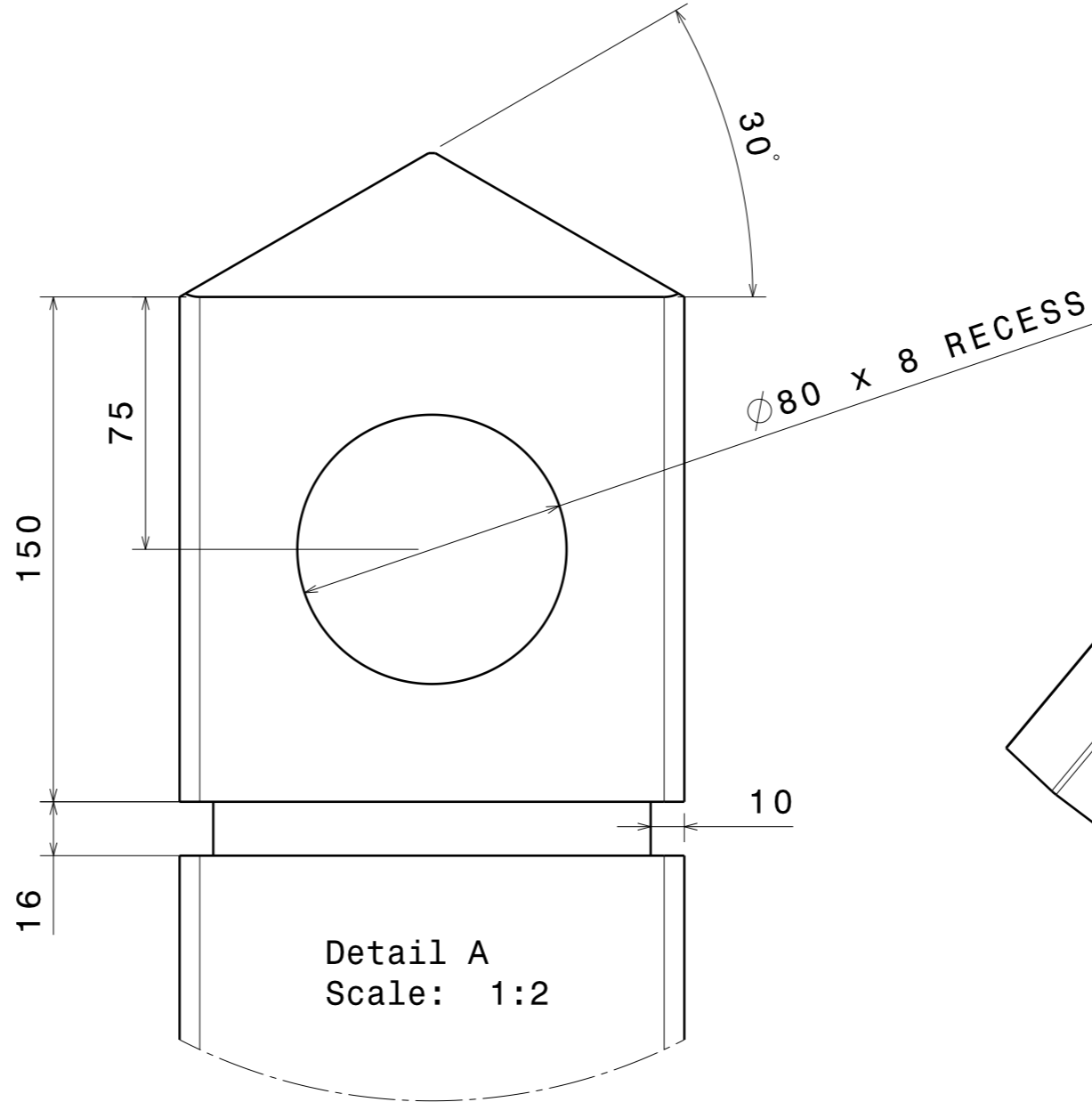
Top view
Scale: 1:10



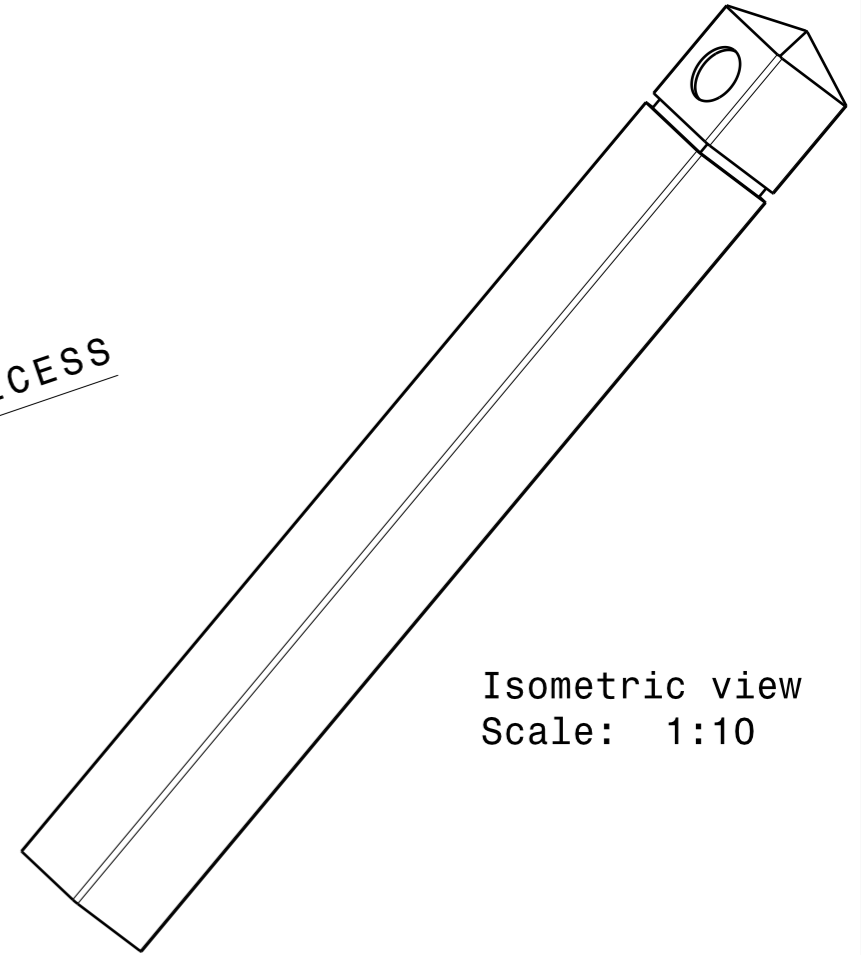
Left view
Scale: 1:10



Front view
Scale: 1:10



Detail A
Scale: 1:2



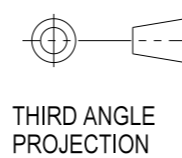
Isometric view
Scale: 1:10

Recycled
Environmental
Sustainable
Safe

APR manufactures utilising recycled and reclaimed materials
APR products are manufactured to our standard quality control processes
APR manufactures to various lengths

Notice

This drawing was prepared by the staff of Advanced Plastic Recycling and the copyright therein belongs to the company. All rights conferred by the law of copyright and by virtue of international copyright conventions are reserved to the company. Reproduction requires the prior written consent of the company. As the drawing may incorporate confidential information of the company, its disclosure to others requires the company's prior written consent. Any infringement of this copyright may result in legal action.



DESIGNED E.C	SCALE AS SHOWN	MATERIAL A.P.R - W.P.C
DRAWN E.C	© DATE 18/04/2017	TOOL No.
CHECKED K.C	APPROVED C.L	A3 SHEET 1 OF 1
PART NAME		PART NO.
150X150 PEAK TOP BOLLARD		