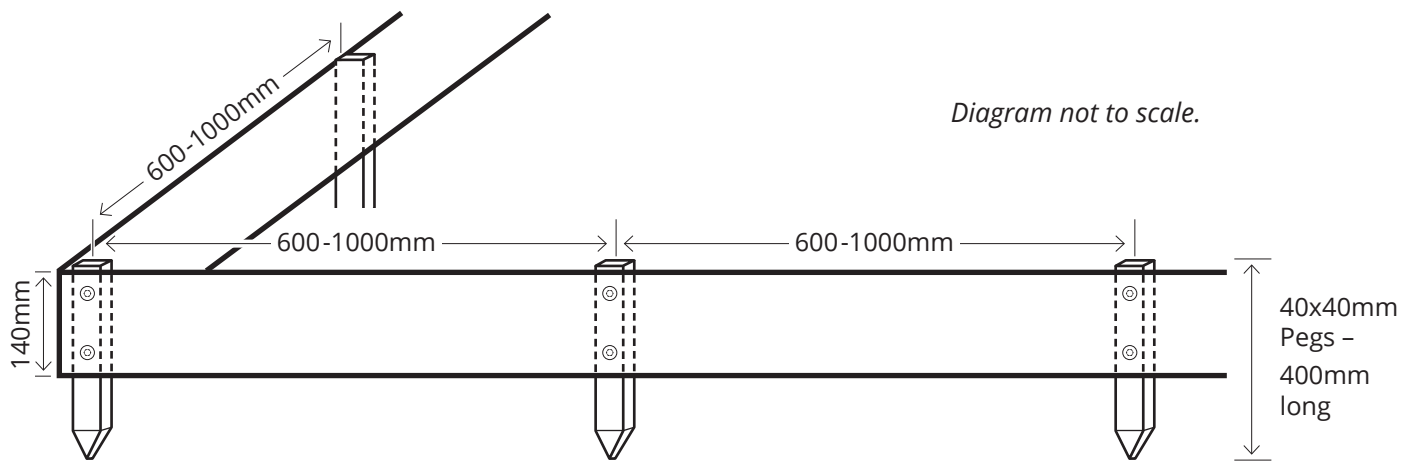


Installation Guide

Composite Edging

INSTALLATION GUIDE - APR STANDARD DESIGN

- Bugle Head screws (galvanised or stainless steel) are recommended.
- Profile Spans can be between 600 - 1000mm apart (please refer to APR Span Tables for more detail).
- APR edging profiles vary in flexibility and style. Please refer to the table below:



EXAMPLE ONLY

This diagram depicts the installation of a 140 x 40mm profile using 40 x 40mm pegs. The length of pegs to be used will be based on soil type conditions.

EDGING PROFILE (mm)	APR PRODUCT CODE	FLEXIBILITY
75 x 45	75.45	Medium
90 x 20	90.20	Flexible
90 x 45	90.45	Medium
100 x 23	100.23	Flexible
140 x 40	140.40	Medium
150 x 25	150.25	Flexible
200 x 20	200.20	Flexible
200 x 50	200.50	Rigid
200 x 75	200.75	Rigid
300 x 40	300.40	Rigid