

Installation Guide

Composite Decking & Tri I

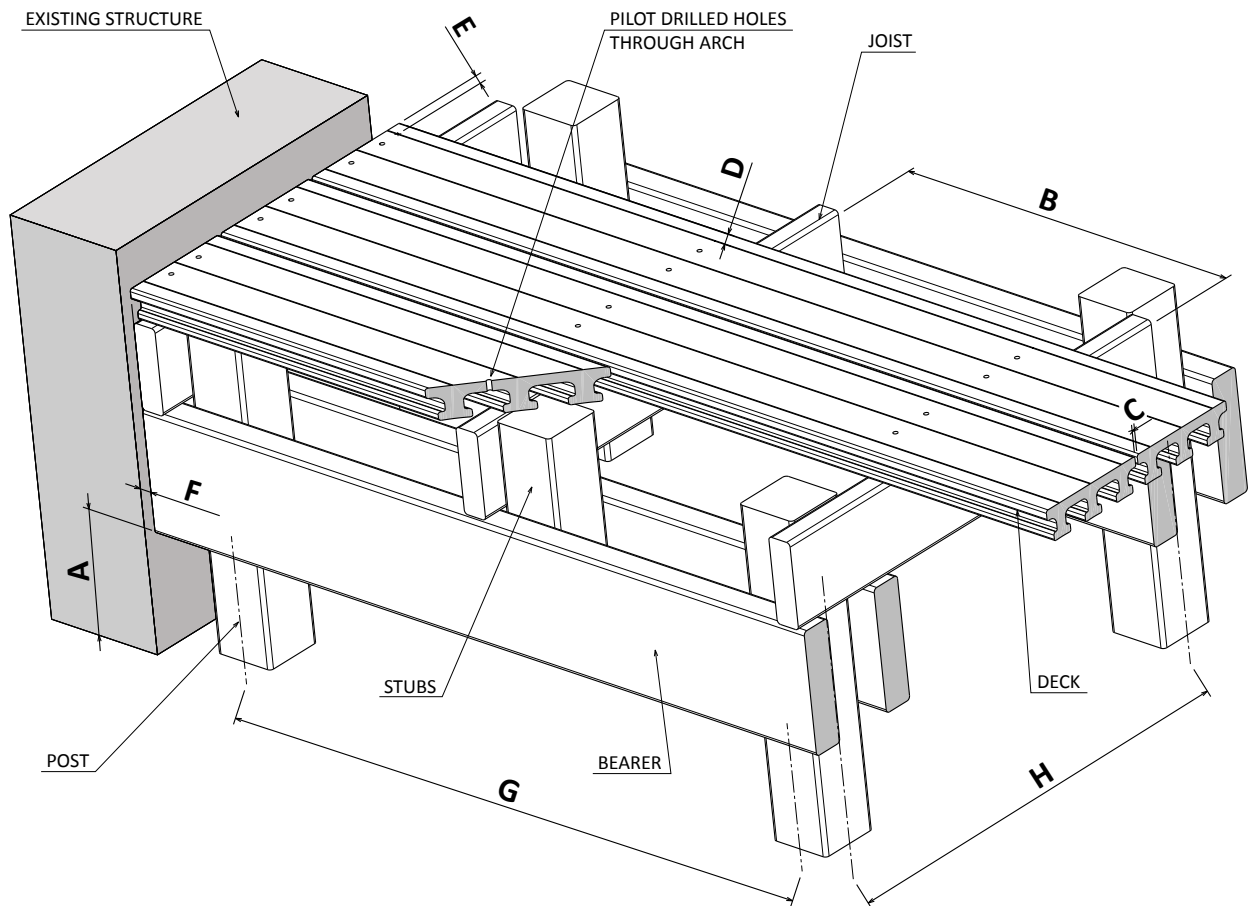


Figure 1: Standard Boardwalk Layout Diagram.

Please refer to APR Technical Specifications for more detailed maximum joist span information.

DIMENSION CHART TO SUIT THE STANDARD BOARDWALK LAYOUT DRAWING:

A	Clearance to underside of rail	50mm
B	Joist centres (max)	300 - 1200mm
C	Board gap	3 - 6mm
D	Distance from board edge to screw hole (min)	20mm
E	Distance from board end to screw hole (min)	20mm
F	Gap between board and fixed structures	6mm
G	Bearer span (between post centres)	1200 - 3200mm
H	Joist span (between post centres)	Refer to APR Tech Specs.

For further information please contact:

APR Composites

29-33 Woomera Ave

Edinburgh, SA 5111

08 8359 4999

sales@aprcomposites.com.au

aprcomposites.com.au