



Engineering Project Brochure

DESIGN | ENGINEER | MANUFACTURE | CONSTRUCT



APR
composites

08 8359 4999
aprcomposites.com.au

Company Profile

APR Composites is a leading Australian designer and manufacturer of sustainable composite products suited to a wide range of industries within both local and international markets.

The family owned business has invested significantly in research and development, integrating recycled and reclaimed plastics and wood using the latest technologies.

APR Composites prides itself in delivering superior products for individual residential sales or larger industry projects such as Public Infrastructure, Parks and Gardens, Rail, Marine and Transport.

APR Composites manufacture to world standards and deliver solutions which are leading edge without compromise in quality, all at an affordable price. With the ability for clients to order to length, wastage is minimised; in keeping with APR Composites responsible approach to utilising resources efficiently.

With around-the-clock manufacturing capabilities, APR Composites has the superior ability to fulfill customer requirements.

To find more about how clients are utilising the APR Composites product range, please visit aprcomposites.com.au.

Factory tours are available by prior arrangement for Government and business communities.



*Front Cover: Swale Bridge, St Ignatius College, South Australia;
Boardwalk, San Remo, Victoria; Boardwalk, Port Wakefield, South Australia.*

Back Cover: Parkland Footbridge, Adelaide, South Australia.

Contents

Boardwalks..... 2

Swale Bridges 4

Viewing Platforms..... 8

Professional
Support Partners:



For further information
please contact:

APR Composites

29-33 Woomera Ave
Edinburgh SA 5111

08 8359 4999

sales@aprcomposites.com.au

aprcomposites.com.au



Boardwalks

Boardwalks designed, engineered and manufactured in Australia by APR Composites provide the perfect long term and environmentally sound solution for any application.

Our boardwalks are non-toxic and will not rot or splinter, making them ideal for coastal and marine environments.

On request, APR Composites can provide a fully integrated design to meet your requirements. All posts, bearers, joists and decking can be supplied to ensure the project meets the highest standards for design and construction.



San Remo, Victoria



Port Vincent, South Australia



Margaret River, Western Australia



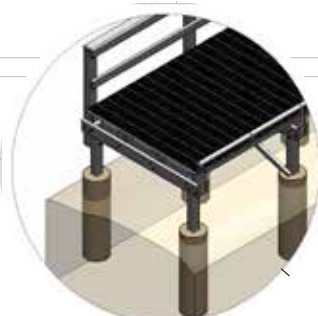
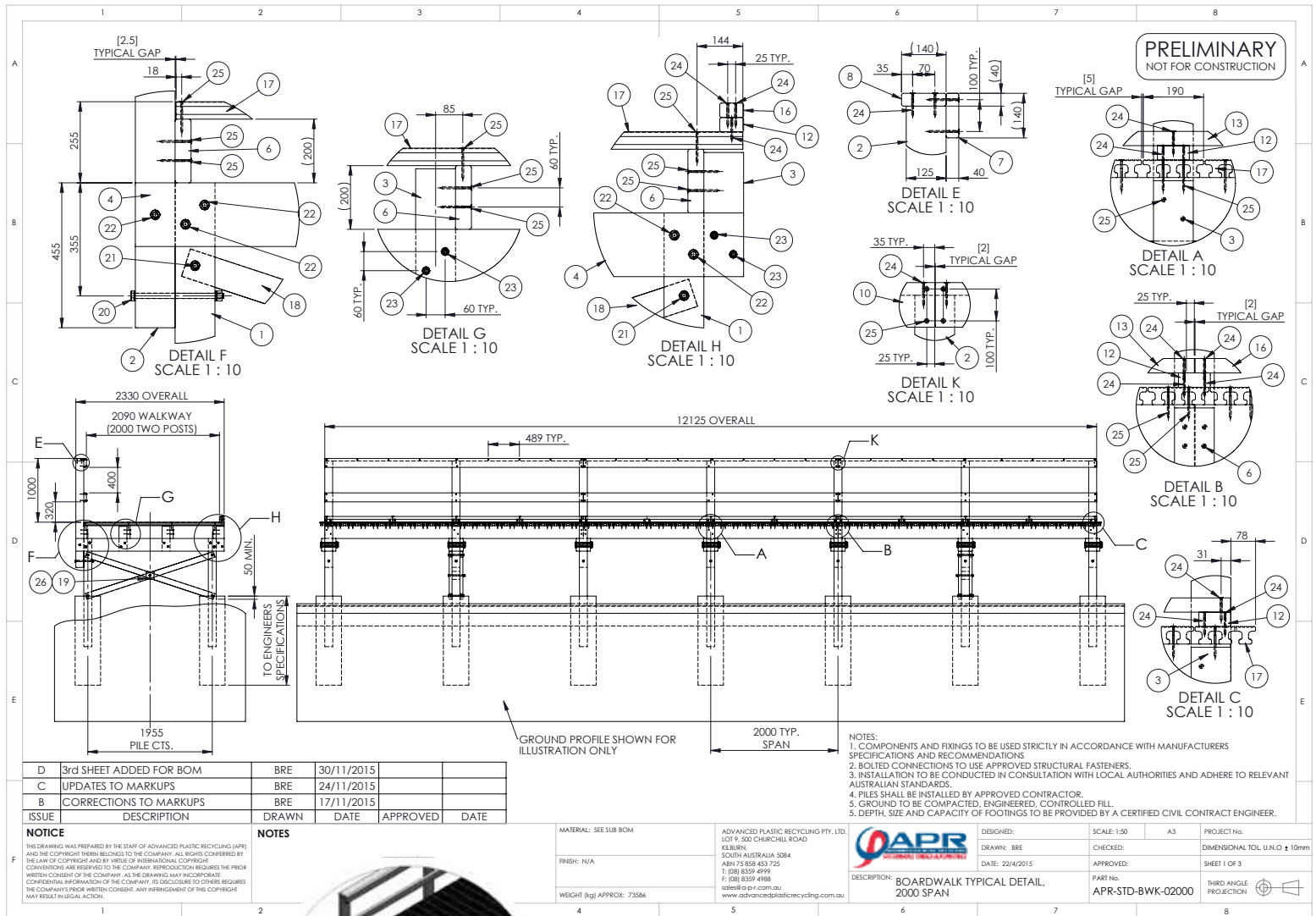
Margaret River, Western Australia



Robe, South Australia



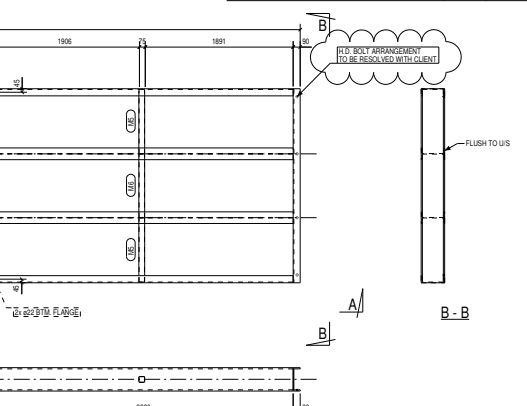
Margaret River, Western Australia





TOTAL MATERIAL LIST FOR 1 ASSEMBLY

Mat	No.	Profile	Length	Gaib	Area (sq m)	Weight (kg)
M1	1	PFC300*90	7819	300PLUS	7.3	513.7
M2	1	PFC300*90	7819	300PLUS	7.3	513.7
M3	2	PFC300*90	2480	300PLUS	2.3	166.5
M4	2	UB310*52	7819	300PLUS	6.1	250.5
M5	6	SH875*70*2.5	800	350	0.2	4.6
M6	3	SH875*70*2.5	811	350	0.2	4.5
Total					29.2	1388.2



FRAME MARK FR1 - 1 REQ'D AS DRAWN

Treatment: GRIT BLAST, INORGANIC ZINC SILICATE

APR
Advanced Plastic Recycling

Client Job #

Homcastle Drafting
0800 565 711
www.apr.com.au

Project: Swale Bridge
Client: Advanced Plastic Recycling
Date: 01
Scale: 1:50
Date: May 15
Size: A3
Dwg #: 1163-FR1
Rev: A



Swale Bridges

APR Composites were approached by St Ignatius College to assist with the construction of a swale bridge on college grounds.

Requiring a 4 tonne load rating, this meant APR's design team and engineering partners had to work closely to come up with a solution.

A detailed engineering design to meet council requirements was provided and APR Composites continued with the supply and installation of the swale bridge, resulting in the perfect solution for the College.



Viewing Platforms

Whether it be for bird watching or integrated with a boardwalk, our composite viewing platforms are the ideal product to help you enjoy the Australian landscape.

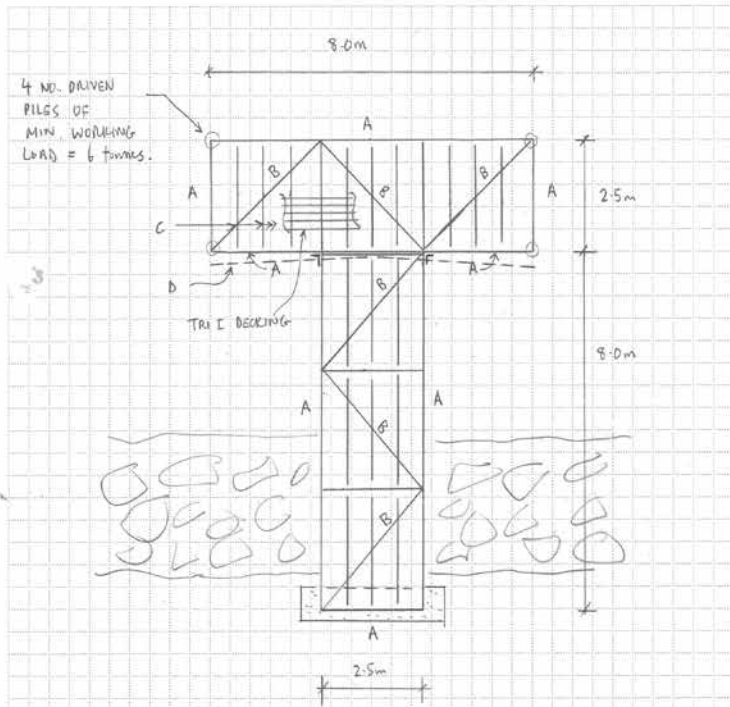
APR Composites will work with you to design a custom-made viewing platform that meets your needs and compliments your area; and always made to order, so you won't be paying for product you don't need.



Margaret River, Western Australia

W&G
WALLBRIDGE & GILBERT
Consulting Engineers

Job Number 161555
Designer MH
Date 17.11.2016
Page Number 1 OF 1



FISH CLEANING PLATFORM - CONCEPT DESIGN

MARK	MEMBER	TYPE / SIZE
A	PERIMETER BEAM	300 PFC
B	HORIZONTAL BRACING	100EA10
C	BEAM JOIST	100 x 50 x 3 PHS
D	VERT. BRACING	100EA 10

NOTE: STEELWORK CORROSION PROTECTION TO BE 'PURS' TO AS 2312
(GALV BLAST CLASS 2 1/2, 75 MICRON ZINC PRIMER, 200 MICRON HIGH BUILD)
(EPOXY + 50 MICRON 2 PACK POLYURETHANE TOP COAT)

ABN 90 743 056 456 W&G Engineers Pty Ltd trading as Wallbridge & Gilbert



Robe, South Australia



Monash, South Australia



Waterfall Gully, South Australia



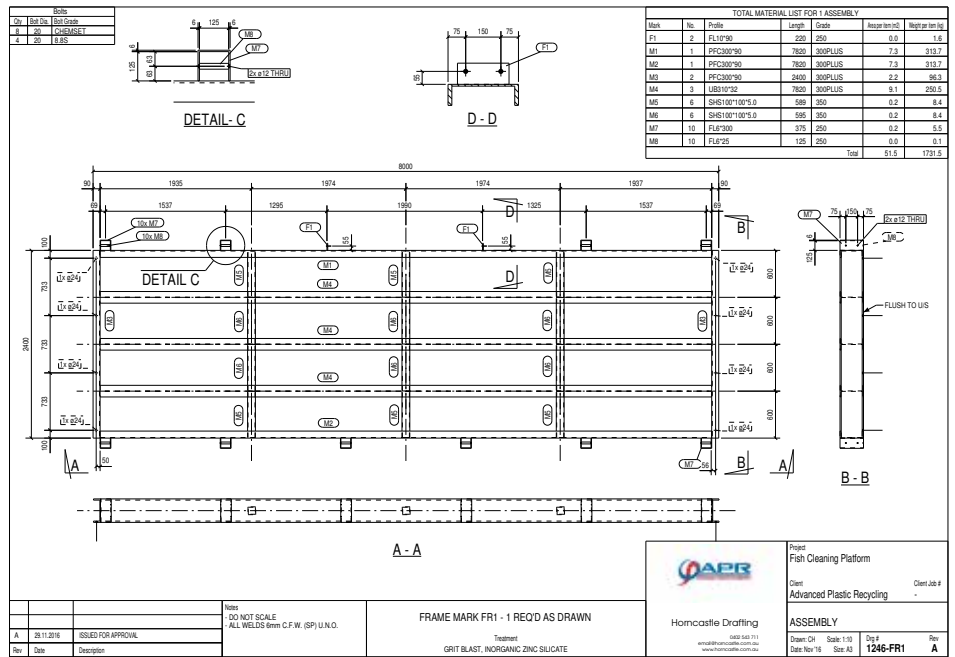
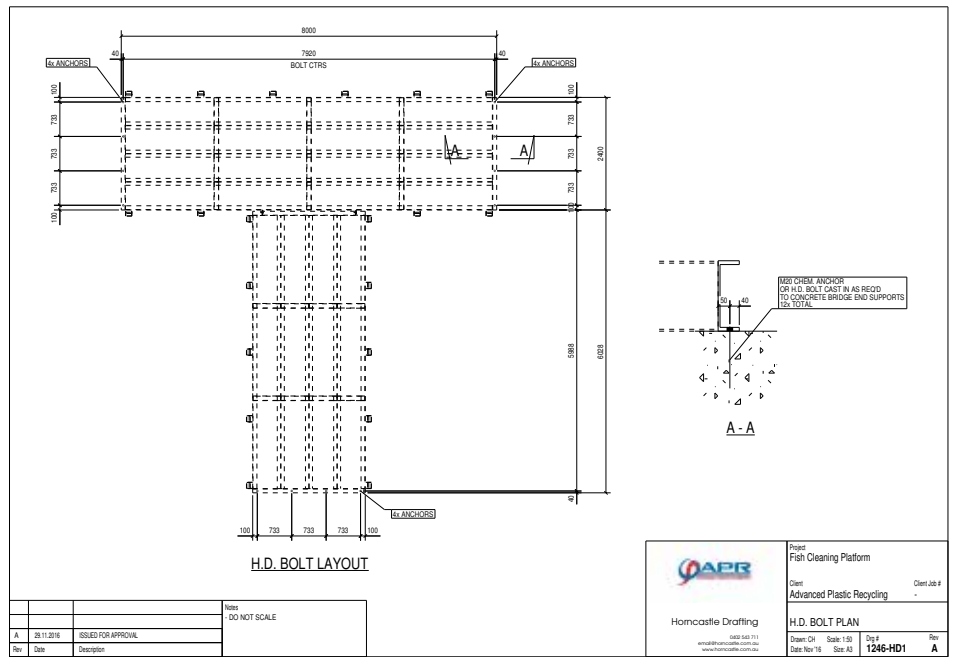
San Remo, Victoria



Robe, South Australia



Kangaroo Island, South Australia





Adelaide, South Australia

Disclaimer: Due to the use of recycled and reclaimed materials, product colours, shades and widths can vary from time to time.

All composite products shown in this brochure have been designed, engineered and manufactured in Australia by APR Composites – an Australian owned and operated company.



For further information
please contact:

APR Composites
29-33 Woomera Ave
Edinburgh SA 5111

08 8359 4999

sales@aprcomposites.com.au

aprcomposites.com.au

